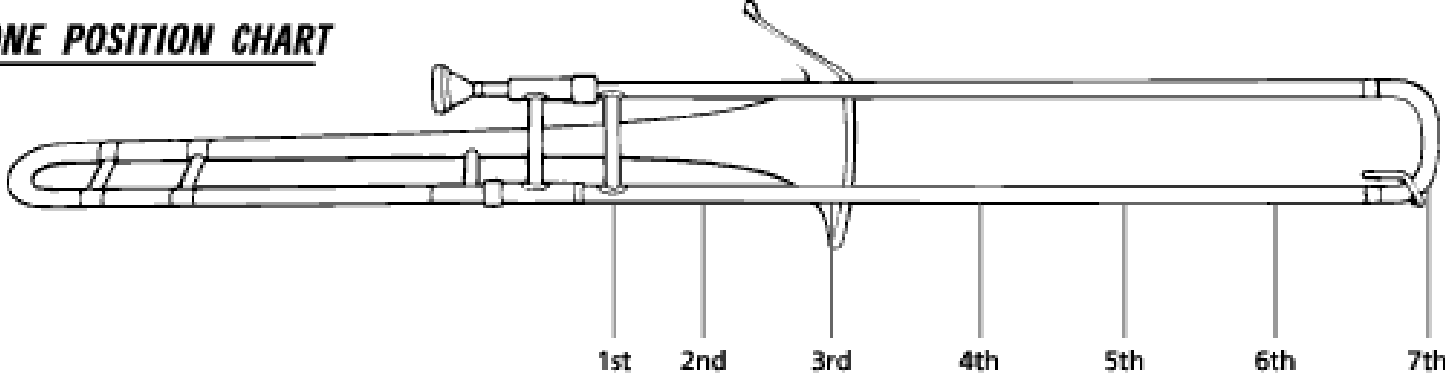


TROMBONE POSITION CHART



SLIDE POSITIONS

Numbers under notes indicate slide positions.

Row 1: E (7), F (6), F# (5), Gb (5), G (4), G# (3), Ab (3)

Row 2: A (2), A# (1), Bb (1), B (7), C (6), C# (5), Db (5)

Row 3: D (4), D# (3), Eb (3), E (2), F (1 or 6), F# (5), Gb (5)

Row 4: G (4), G# (3), Ab (3), A (2), A# (1 or 5), Bb (1 or 5), B (4)

Row 5: C (3), C# (2), Db (2), D (1 or 4), D# (3), Eb (3), E (2), F (1)

Row 6: F# (3), Gb (3), G (2), G# (3), Ab (3), A (2), Bb (1)